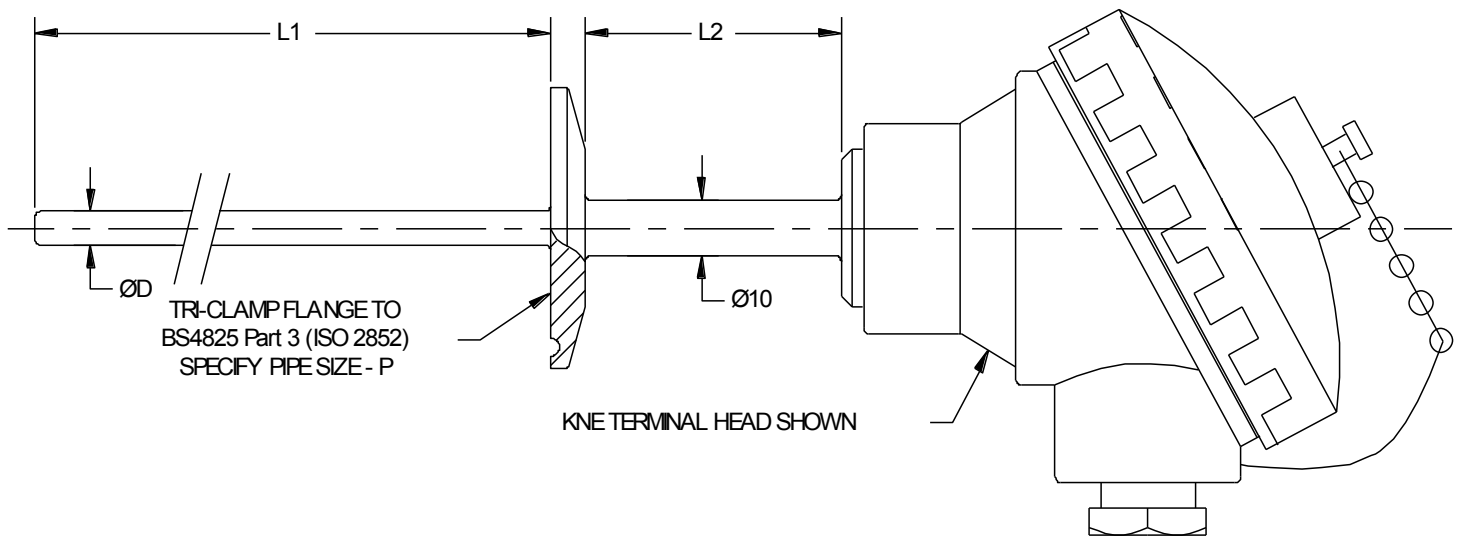
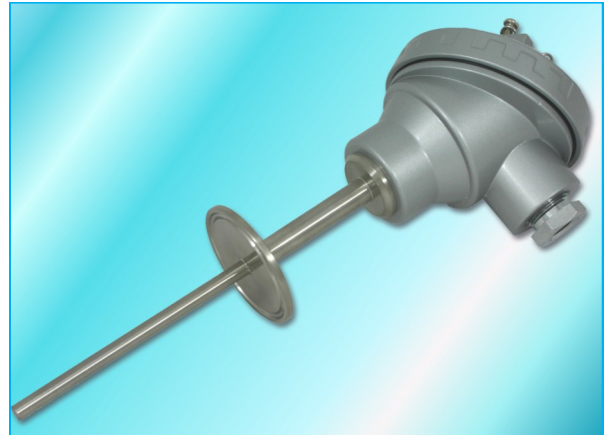


# PPL6-P

## Pt100 Sensor with Hygienic Process Connection

- Rigid Stem Probe with Industry Standard Sanitary Hygienic Connection.
- Tri-Clamp, RJT and IDF and other industry standard connections.
- Crevice Free Welds for Ultimate Hygiene.
- Sanitary Applications in Brewing, Dairy and Pharmaceutical Industries
- Choice of Pipe Sizes and Terminal Head Types.
- Range of transmitter products.



### Specifications

<b>Sensor Type</b>	Platinum Resistance Thermometer—Pt100 or Pt1000. Other types available—please enquire.
<b>Operating Range</b>	Generally limited to range of lead as standard - see below - but can be extended by request.
<b>Sheath Material</b>	316 stainless steel, all TIG welded construction
<b>Tolerance Band</b>	Class B, Class A, 1/3 DIN, 1/5 DIN or 1/10 DIN
<b>Wiring System</b>	2, 3 or 4 wire, Simplex or Duplex
<b>Head Types</b>	A - KNE Aluminium Alloy, IP68 B - KSE Aluminium Alloy, IP68 C - ABS, IP67 D - Glass Filled Nylon, IP65 E - 316 stainless steel, IP68 (Other heads available upon request)
<b>Head Options</b>	A Ceramic Terminal Block B In Head Transmitter—various options available inc. HART and Intrinsically Safe. C Tails for Customers Own Transmitter

### Process Parameters Ltd

Unit 10A, Waldeck House, Waldeck Road, Maidenhead, Berkshire, SL6 8BR

Tel: 01628 778688

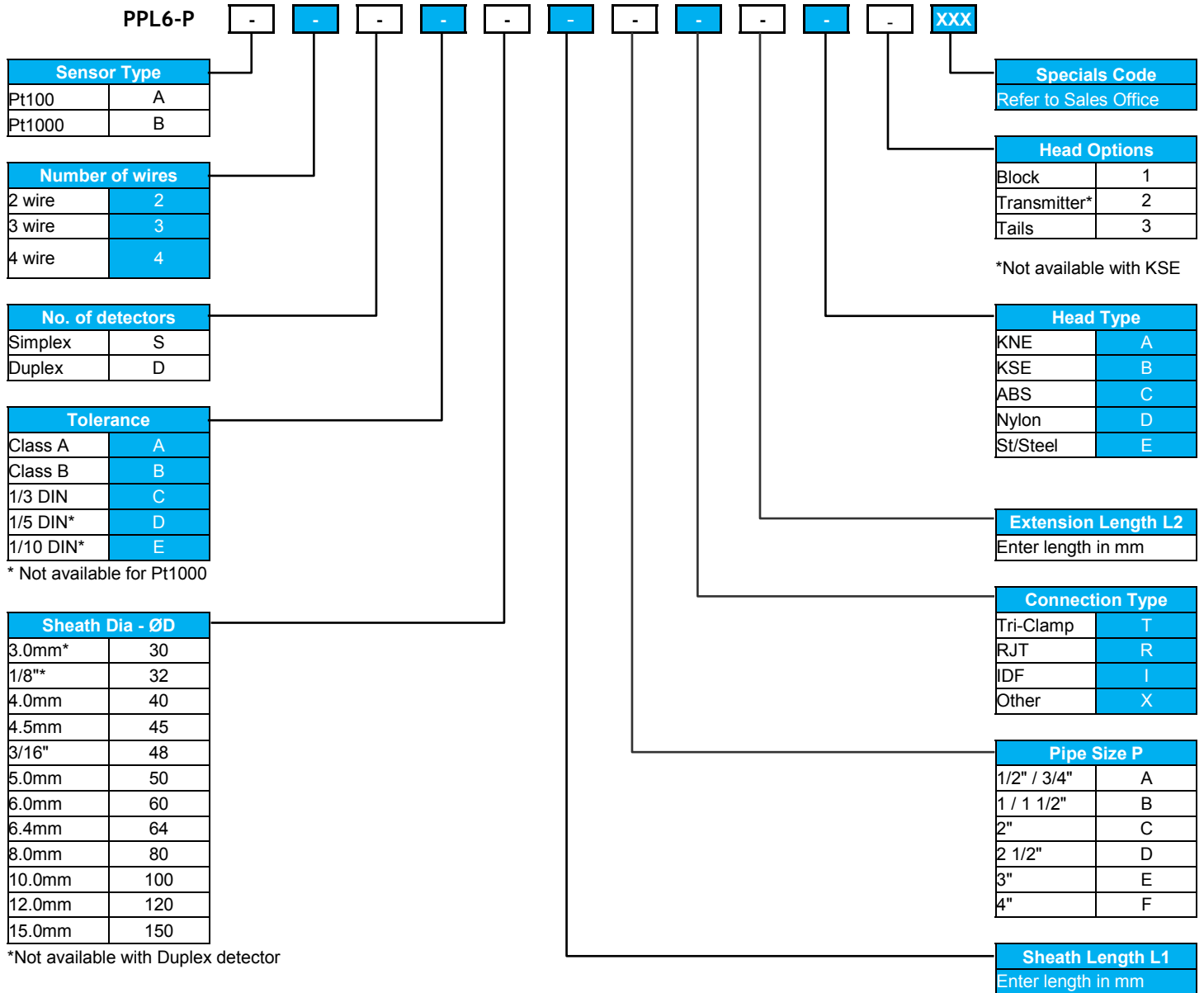
Fax: 01628 777714

Email: sales@processparameters.co.uk

Web: www.processparameters.co.uk

# PPL6-P

## Pt100 Sensor with Hygienic Process Connection



NOTE: Some option combinations not possible.

This data sheet gives details of the most popular options available for this type of sensor but is not intended to give an exhaustive list of possibilities. If you have a special requirement please do not hesitate to contact our sales office for assistance.

### Accessories for your sensor...



Signal Conditioners



Pockets / Thermowells



Extension Cables

## Process Parameters Ltd

Unit 10A, Waldeck House, Waldeck Road, Maidenhead, Berkshire, SL6 8BR

Tel: 01628 778688

Fax: 01628 77714

Email: sales@processparameters.co.uk

Web: www.processparameters.co.uk