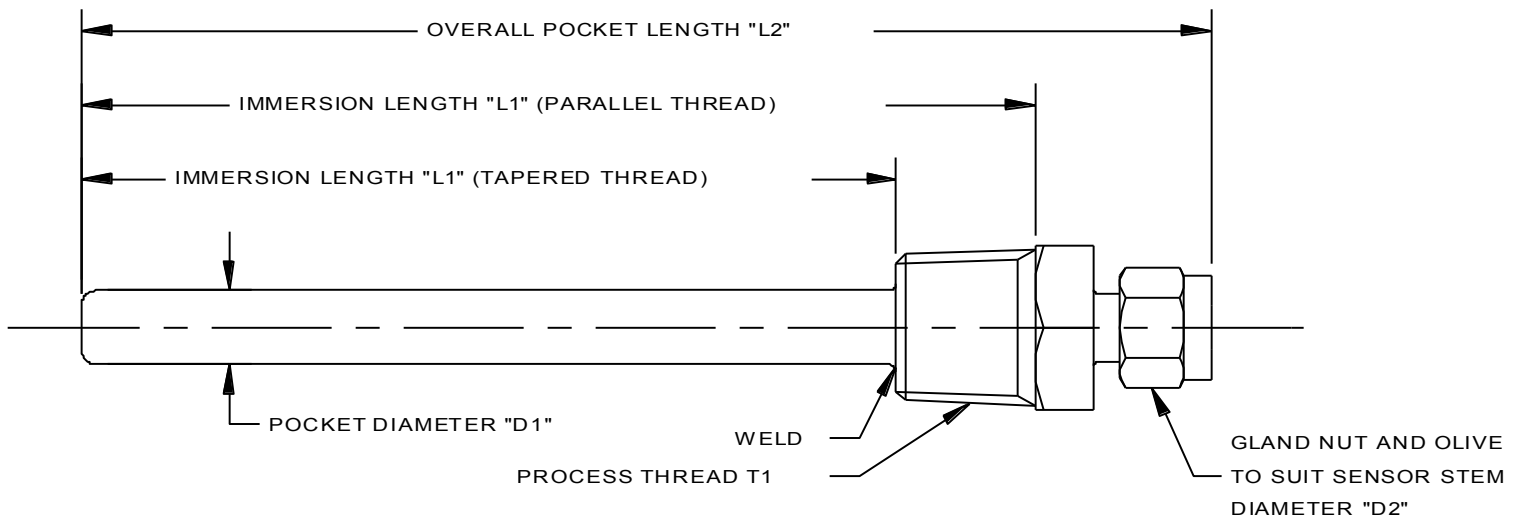


PPL50-TW

Fabricated Pocket with Compression Gland

- Simple, Cost Effective Fabricated Pocket
- Easy to Install
- No Need to Drain Down a system when Sensor is replaced
- Manufactured to Your Requirements
- For Use with our PPL1 and PPL3 Sensors



Specifications

Pocket Material 316 stainless steel

Operating Range -75 to +800°C

Thread Types

A - 1/4" BSP

B - 1/2" BSP

C - 3/4" BSP

D - 1" BSP

E - 1/4" BSPT

F - 1/2" BSPT

G - 3/4" BSPT

H - 1" BSPT

I - 1/2" NPT

J - 3/4" NPT

Other threads available upon request.

Process Parameters Ltd

Unit 10A, Waldeck House, Waldeck Road, Maidenhead, Berkshire, SL6 8BR

Tel: 01628 778688

Fax: 01628 777714

Email: sales@processparameters.co.uk

Web: www.processparameters.co.uk

PPL50-TW

Fabricated Pocket with Compression Gland

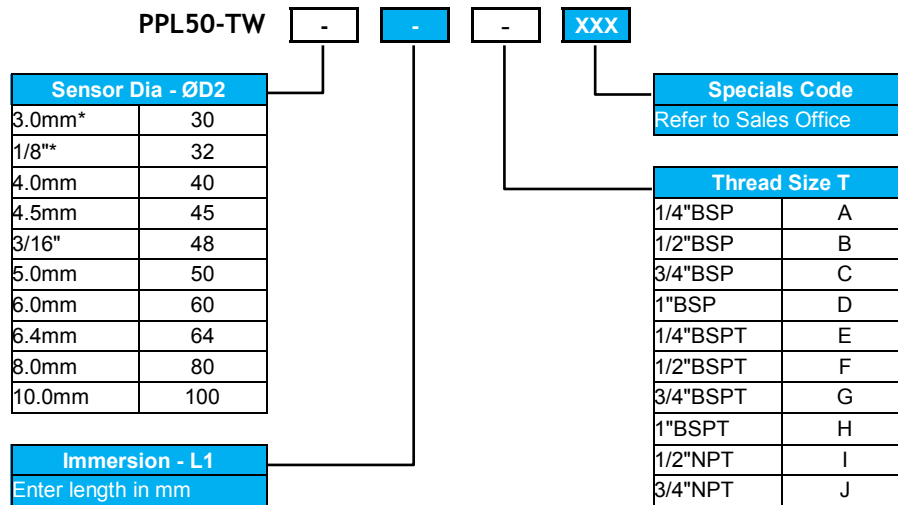
TEMPERATURE INSTRUMENTATION SPECIALISTS

Temperature Probes

Infrared

Thermal Imaging

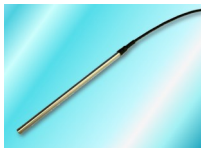
Calibration



NOTE: Some sheath diameter / lead type combinations require a pot seal. Some option combinations not possible.

This data sheet gives details of the most popular options available for this type of sensor but is not intended to give an exhaustive list of possibilities. If you have a special requirement please do not hesitate to contact our sales office for assistance.

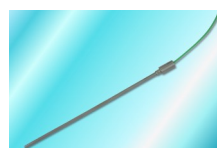
Ideal for use with ...



PPL1 Probe



PPL3 Probe



PPL13 Probe



PPL20 Probe

Process Parameters Ltd

Unit 10A, Waldeck House, Waldeck Road, Maidenhead, Berkshire, SL6 8BR

Tel: 01628 778688

Fax: 01628 777714

Email: sales@processparameters.co.uk

Web: www.processparameters.co.uk