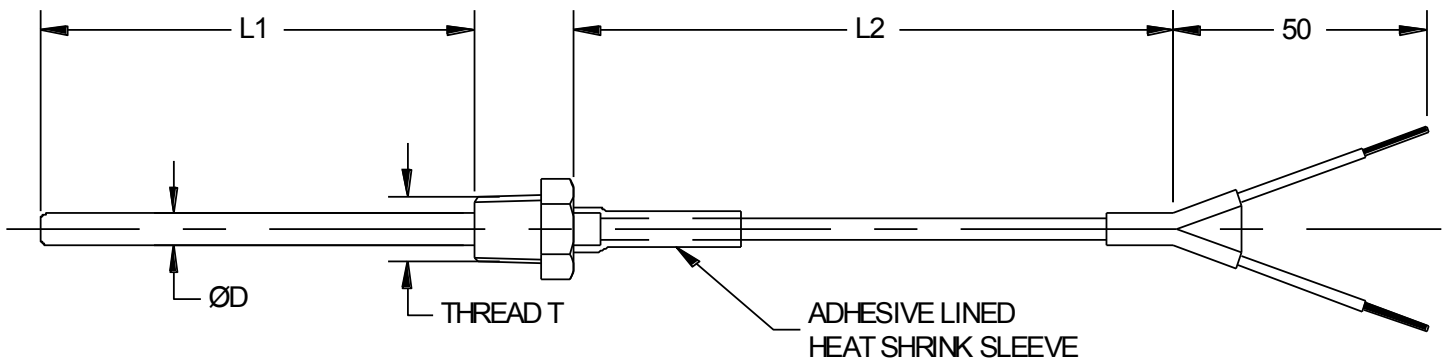
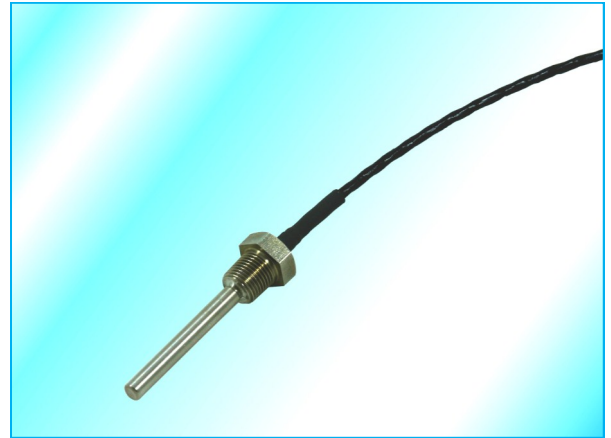


PPL2-P

Resistance Thermometer with Fixed Process Connection & Lead

- Sensor Probe with Flying Lead and Process Connection.
- Welded Process Connection for Easy Installation.
- No Need for Compression Fittings.
- Standard Choice of Wiring, Detectors, Sheath Sizes & Lead Types.
- Manufactured to Your Requirements.
- UKAS or Traceable Calibration Available.



Specifications

Sensor Type	Platinum Resistance Thermometer—Pt100 or Pt1000. Other types available—please enquire.
Operating Range	Generally limited to range of lead as standard - see below - but can be extended by request.
Sheath Material	316 stainless steel
Tolerance Band	Class B, Class A, 1/3 DIN, 1/5 DIN or 1/10 DIN
Wiring System	2, 3 or 4 wire, Simplex or Duplex
Lead Types	A - PVC/PVC Screened (-10 to +105°C) B - Silicone Rubber Unscreened (-60 to +180°C) C - PTFE/PTFE Screened (-200 to +250°C) D - Glass Fibre Stainless Steel Overbraid (0 to 350°C) (Other cables available upon request).

Process Parameters Ltd

Unit 10A, Waldeck House, Waldeck Road, Maidenhead, Berkshire, SL6 8BR

Tel: 01628 778688

Fax: 01628 777714

Email: sales@processparameters.co.uk

Web: www.processparameters.co.uk

PPL2-P

Resistance Thermometer with Fixed Process Connection & Lead

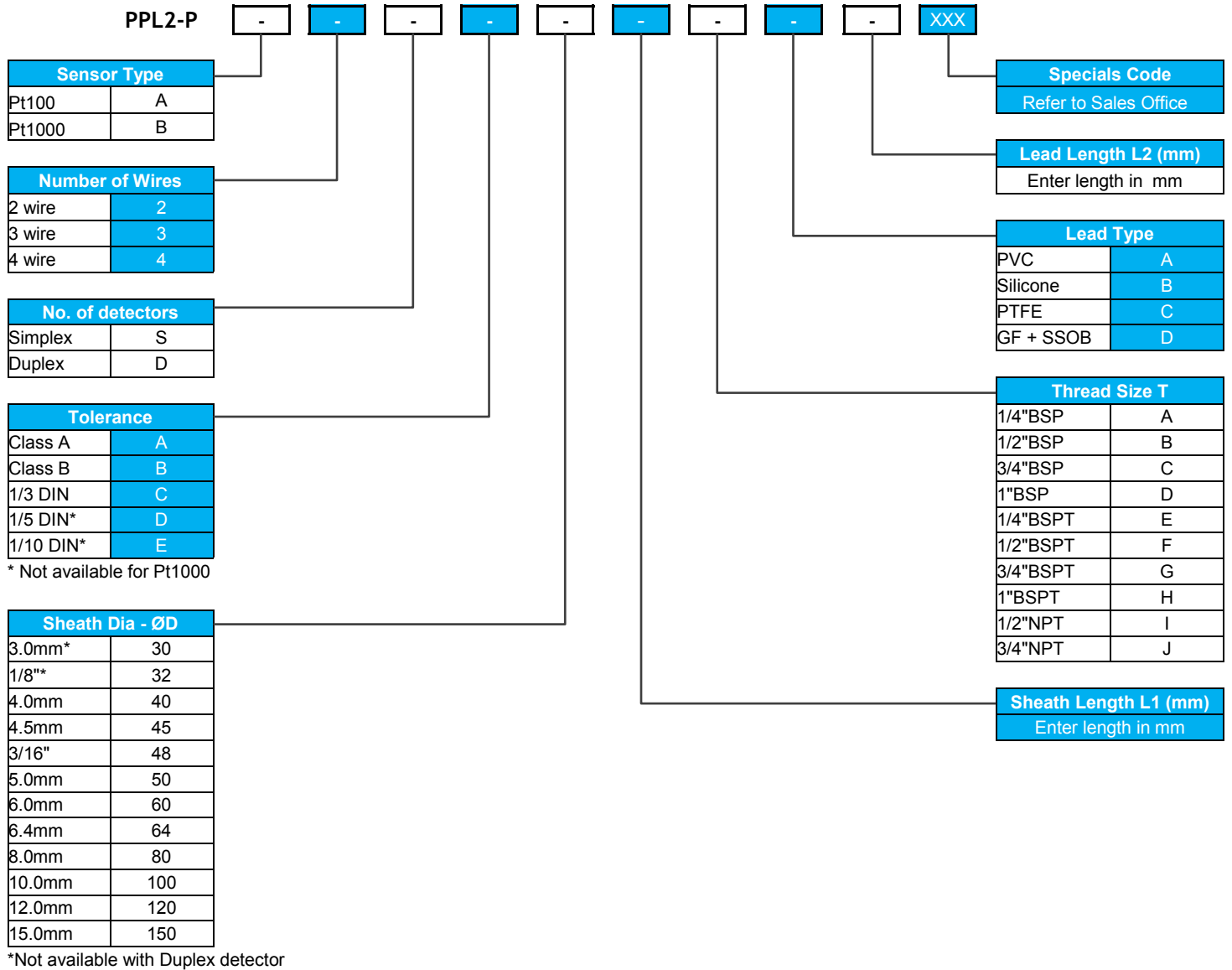
TEMPERATURE INSTRUMENTATION SPECIALISTS

Temperature Probes

Infrared

Thermal Imaging

Calibration



NOTE: Some sheath diameter / lead type combinations require a pot seal. Some option combinations not possible.

This data sheet gives details of the most popular options available for this type of sensor but is not intended to give an exhaustive list of possibilities. If you have a special requirement please do not hesitate to contact our sales office for assistance.

Accessories for your sensor...



Calibration



Pockets / Thermowells



Extension Cables

Process Parameters Ltd

Unit 10A, Waldeck House, Waldeck Road, Maidenhead, Berkshire, SL6 8BR

Tel: 01628 778688

Fax: 01628 77714

Email: sales@processparameters.co.uk

Web: www.processparameters.co.uk